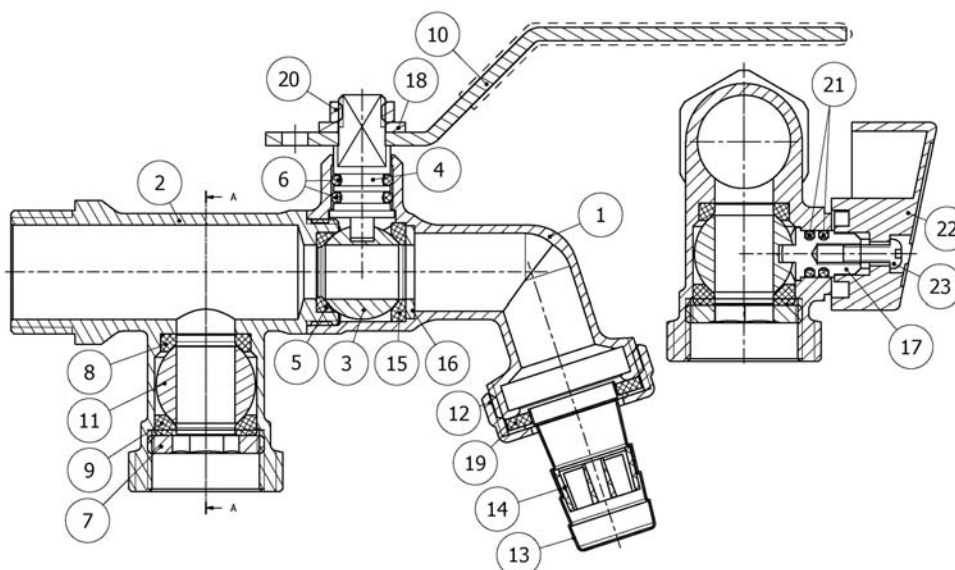


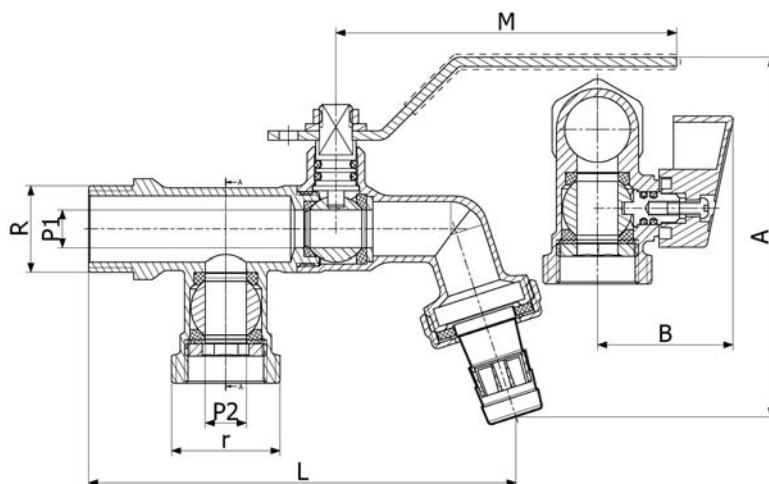
Art.: 3059D

Válvula de esfera para manguera con dos salidas Bibcock ball valve with two outlets

| Características | Features |
|--|---|
| 1. Válvula de esfera para conexión manguera. | 1. Bibcock ball valve to hose connection. |
| 2. Paso total. | 2. Full bore. |
| 3. Construcción en latón s/ UNE-EN 12165 cromado. | 3. Brass construction acc/ UNE-EN 12165 chrome plated. |
| 4. Entrada rosca gas (BSP) macho s/ ISO 228/1. | 4. Gas (BSP) threaded male inlet acc/ ISO 228/1. |
| 5. Salida racor de dos piezas con difusor para conectar manguera y salida rosca macho 3/4" | 5. Fitting two-piece with diffuser for connect hose and 3/4" male threaded. |
| 6. Accionamiento mediante palanca de acero. | 6. Working by means of steel lever handle. |
| 7. Eje no eyectable. | 7. Non ejectable stem. |
| 8. Asientos PTFE. | 8. PTFE Seats. |
| 9. Temperatura de trabajo desde -20°C a 100°C. | 9. Working temperature from -20°C to 100°C. |
| 10. Presión máxima de trabajo 16 bar (PN 16). | 10. Maximum working pressure 16 bar (PN 16). |
| 11. Dispositivo para bloqueo en abierto y cerrado. | 11. Lockable in open and close position. |



| Nº | Denominación / Name | Material | Acabado Sup. / Surface Treatment |
|----|----------------------------|--------------------------------|-------------------------------------|
| 1 | Cuerpo / Body | Latón / Brass (CW617N) | Granallado+Cromado / Peened+Chromed |
| 2 | Tapa / Cap | Latón / Brass (CW617N) | Granallado+Cromado / Peened+Chromed |
| 3 | Esfera / Ball | Latón / Brass (CW617N) | Cromado / Chrome plated |
| 4 | Eje / Stem | Latón / Brass (CW617N) | Cromado / Chrome plated |
| 5 | Asiento / Ball seat | PTFE | - |
| 6 | Junta tórica / O-ring | NBR | - |
| 7 | Tapa / Cap | Latón / Brass (CW617N) | Cromado / Chrome plated |
| 8 | Asiento / Ball seat | PTFE | - |
| 9 | Asiento / Ball seat | PTFE | - |
| 10 | Palanca / Handle | Acero / Steel | Dacromet |
| 11 | Esfera / Ball | Latón / Brass (CW617N) | Cromado / Chrome plated |
| 12 | Tuerca / Nut | Latón / Brass (CW617N) | Granallado+Cromado / Peened+Chromed |
| 13 | Conexión / Hose connection | Acero Inox. / S.Steel AISI 201 | Cromado / Chrome plated |
| 14 | Difusor / Diffuser | Nylon / Nylon | - |
| 15 | Asiento / Ball seat | PTFE | - |
| 16 | Anillo asiento / Seat ring | Latón / Brass (CW617N) | - |
| 17 | Eje / Stem | Latón / Brass (CW617N) | Cromado / Chrome plated |
| 18 | Arandela / Grower washer | Acero Inox. / S.Steel AISI 304 | - |
| 19 | Junta / Joint | NBR | - |
| 20 | Tuerca / Nut | Acero Inox. / S.Steel AISI 304 | - |
| 21 | Junta tórica / O-ring | NBR | - |
| 22 | Palanca / Handle | Aluminio / Aluminium | Pintado / Painted PANTONE 300 |
| 23 | Tornillo / Screw | Acero Inox. / S.Steel AISI 201 | Cromado / Chrome plated |



| Ref. | Medida / Size | | Dimensiones / Dimensions (mm) | | | | | | Peso / Weight (Kg) |
|-------------|---------------|------|-------------------------------|----|----|----|-----|----|--------------------|
| | R | r | P1 | P2 | A | B | L | M | |
| 3059D 04 05 | 1/2" x 3/4" | 3/4" | 10 | 10 | 87 | 33 | 104 | 84 | 0,250 |