

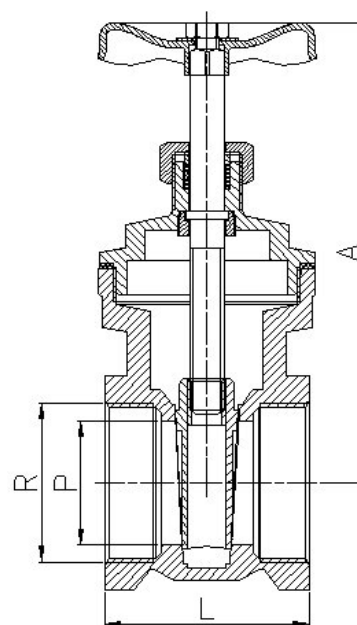
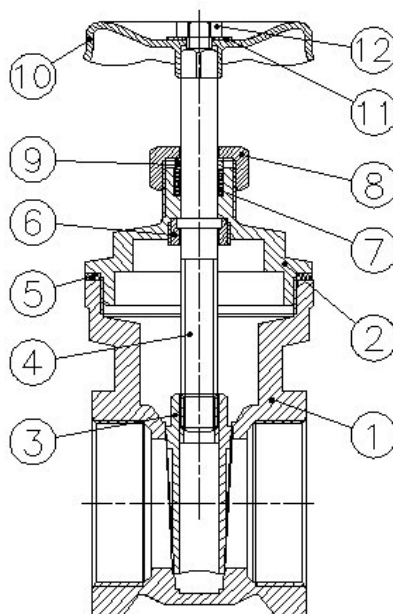
Art.: 3220 Válvula de Compuerta, H-H Gate Valve, F-F

Características

1. Válvula compuerta, PN-16/10 (s/ medida)
2. Construcción en latón según DIN 17660
3. Extremos roscados gas hembra-hembra según ISO 228/1
4. Apta para agua caliente y fría, y aceites
5. Temperatura máxima y mínima de trabajo
 Aire: -15 °C a 105 °C
 Agua: 0 °C a 120 °C

Features

1. Gate valve, PN-16/10 (depending on size)
2. Brass according to DIN 17660
3. Thread ends gas female-female according to ISO 228/1
4. Suitable for hot and cold water, and oils.
5. Maximum and minimum working temperature
 Air: -15 °C a 105 °C
 Water: 0 °C a 120 °C



| Nº | Denominación / Name | Material | Acabado Superficial / Surface Treatment |
|----|------------------------------|---------------|---|
| 1 | Cuerpo / Body | Latón / Brass | Granallado / Peened |
| 2 | Tapa / Bonnet | Latón / Brass | Granallado / Peened |
| 3 | Compuerta / Gate | Latón / Brass | - |
| 4 | Eje / Stem | Latón / Brass | - |
| 5 | Junta tapa / Bonnet joint | Fibra / Fiber | - |
| 6 | Anillo / Stem ring | Latón / Brass | - |
| 7 | Anillo prensa / Stem packing | PTFE | - |
| 8 | Tuerca prensa / Packing nut | Latón / Brass | - |
| 9 | Anillo prensa / Packing ring | Latón / Brass | - |
| 10 | Volante / Wheel | Acero / Steel | Pintado / Painted |
| 11 | Arandela / Washer | Acero / Steel | - |
| 11 | Tuerca / Nut | Latón / Brass | - |



GENEBRE S.A. · Avda. Joan Carles I, 46-48 · EDIFICIO GENE BRE
Tel. +34 93 298 80 00/01 · Fax +34 93 298 80 06
08908 L'HOSPITALET DE LLOBREGAT Barcelona (Spain)
e-mail: genebre@genebre.es
internet: <http://www.genebre.es>

| Ref | Medida / Size R | PN | Dimensiones / Dimensions (mm) | | | Peso / Weight (g) |
|---------|--------------------|----|-------------------------------|-----|----|-------------------|
| | | | P | A | L | |
| 3220 03 | 3/8" | 10 | 13 | 60 | 32 | 155 |
| 3220 04 | 1/2" | 10 | 13 | 62 | 39 | 160 |
| 3220 05 | 3/4" | 10 | 14 | 63 | 41 | 200 |
| 3220 06 | 1" | 10 | 18 | 75 | 48 | 295 |
| 3220 07 | 1 1/4" | 10 | 26 | 94 | 52 | 435 |
| 3220 08 | 1 1/2" | 10 | 33 | 100 | 52 | 575 |
| 3220 09 | 2" | 10 | 43 | 120 | 59 | 950 |
| 3220 10 | 2 1/2" | 16 | 60 | 155 | 60 | 1755 |
| 3220 11 | 3" | 16 | 72 | 190 | 74 | 2170 |
| 3220 12 | 4" | 16 | 93 | 230 | 85 | 4165 |